

HYDRANT ACCESSORIES

STANDPIPE EXTENSIONS / KEY & BAR EXTENSIONS / FALSE VALVE TOPS / LIFTING KEYS

KEY USERS

- Water Companies
- Industrial Sectors
- Construction
- Demolition
- Groundworks

KEY FACTS

- Durable Construction
- Multiple Length Extension
Piece Options
- Full Range of False Valve Top
Sizes
- Lifting / Spade Keys



Standpipe Extensions

Doc Ref: DDS084



DELTA FIRE

Wendover Road, Rackheath Industrial Estate, Norwich, Norfolk, UK NR13 6LH
T: +44 (0)1603 735000 | E: sales@deltafire.co.uk | E: export@deltafire.co.uk
deltafire.co.uk



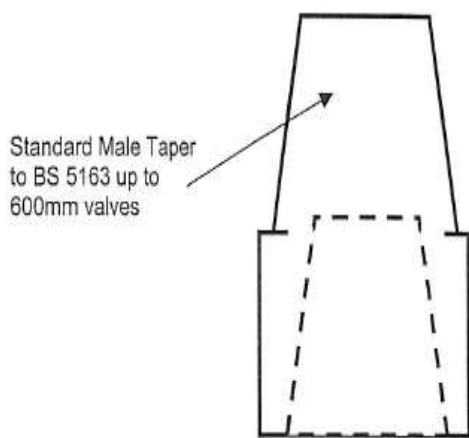
GENERAL DESCRIPTION

Delta offers a wide range of Hydrant Accessories including lifting keys, standpipe extensions, key & bar extensions and false valve tops.

Manufactured from hard-wearing materials and ideally suited to all manner of industrial applications the range includes a wide choice of sizes and lengths to provide complete flexibility with all your hydrant needs.

THE RANGE

STANDPIPE EXTENSIONS	
Product Code	Description
WEA301509	200mm Long Extension
WEA301508	300mm Long Extension
WEA301511	400mm Long Extension
WEA301513	500mm Long Extension
WEA301510	600mm Long Extension
WEA301514	700mm Long Extension
WEA301512	900mm Long Extension
KEY & BAR EXTENSIONS	
MIS220022	900mm Long Extension
FALSE VALVE TOPS	
MIS220004	19mm (3/4")
MIS220010	21mm (13/16")
MIS220005	23mm (7/8")
MIS220006	25mm (1")
MIS220011	31mm (1 1/4")
LIFTING KEYS	
MIS220023	Spade Keys (Pair)



False Valve Tops



DELTA FIRE

Broadland Business Park, Norwich, Norfolk, UK, NR7 0FE

T: +44(0)1603 735000 | E: sales@deltafire.co.uk | E: export@deltafire.co.uk

deltafire.co.uk