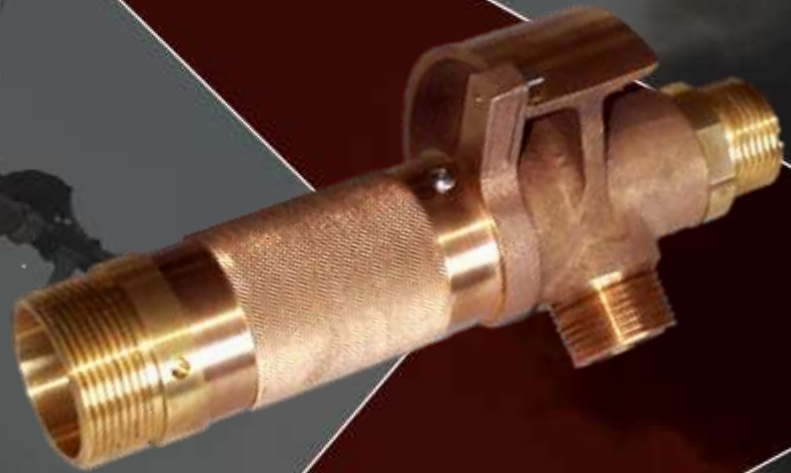


**DELTA
FIRE**



ROUND THE PUMP PROPORTIONER

KEY USERS

- Petrochemicals
- Fuel Storage Sites
- Oil & Gas
- Marine
- Major Industrials
- Aviation
- Chemical Facilities
- Nuclear

KEY FACTS

- Variable Induction Rate
- Wide Operating Pressure Range
- Compact & Robust
- High Corrosion Resistance
- Rotating Hand Grip Induction Setting
- Suitable for Bypass Operation
- Available with all International Fittings
- Manufactured in the UK



Fully Variable Proportioning

Doc Ref: DDS005

DELTA FIRE

Broadland Business Park, Norwich, Norfolk, UK, NR7 0FE

T: +44(0)1603 735000 | E: sales@deltafire.co.uk | E: export@deltafire.co.uk

deltafire.co.uk

GENERAL DESCRIPTION

The Delta Variable Round The Pump Proportioner is an inductor that produces pre-mix solution for one or more foam making branchpipes. This compact and robust unit can be fitted to a fire pump either as a temporary or permanent feature.

The inductor has an induction flow range of 0 to 90 litres per minute, calibrated in steps of 9 litres per minute and may also be used in a bypass type system. The unit is supplied complete with left hand and right hand labels plus a general label with no scale to enable the inductor to be calibrated to suit the customer's specific requirements.

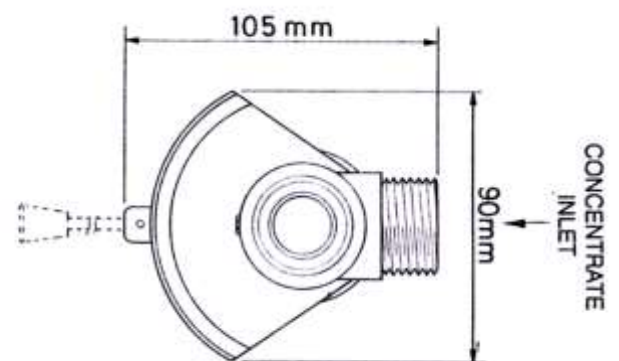
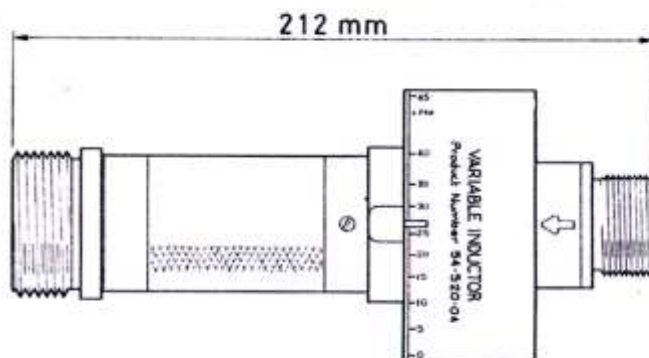
The required calibration setting within a range is selected by rotating the knurled twist grip handle allowing for ease of operation. The materials and manufacturing processes used in production ensure excellent corrosion resistance and capacity for use in extreme environments.

Although generally used integrally as part of a fixed pipework system various ancillary components are available to enable the unit to be used as a temporary installation on the vast majority of Fire Appliances.

TECHNICAL DATA

Water Requirement	193 litres per minute @ 7 bar (4.2 gallons per minute @ 100 lbf/in ²)
Operating Pressure range	3 to 14 bar (45 to 100 lbf/in ²)
Recommended Operating Pressure	7 bar (100 lbf/in ²)
Foam Liquid	P / FP / FFFP / AFFF / AR
Inlet to Back Pressure ratio	1 to 3 Maximum
Induction Rate	90 litres per minute
Calibration Labels	Left Handed / Right Handed / Blank (Self-Adhesive)
Inlet Coupling	25mm (1") BSP Male
Foam Pick-Up Coupling	25mm (1") BSP Male
Outlet Coupling	40mm (1½") BSP Male
Body Material	Corrosion Resistant Bronze
Jet & Throat Material	Corrosion Resistant Bronze
Sleeve Material	Corrosion Resistant Bronze
Weight	2.7 KG (5.9 lbs)
Finish	Natural Bronze Finish

Note: Performance figures are based on figures using the appropriate Foam liquid with clean water - 15° C (59°F) at an atmospheric pressure of 1 bar (15.4 lbf/in²)



DELTA FIRE

Broadland Business Park, Norwich, Norfolk, UK, NR7 0FE

T: +44(0)1603 735000 | E: sales@deltafire.co.uk | E: export@deltafire.co.uk

deltafire.co.uk