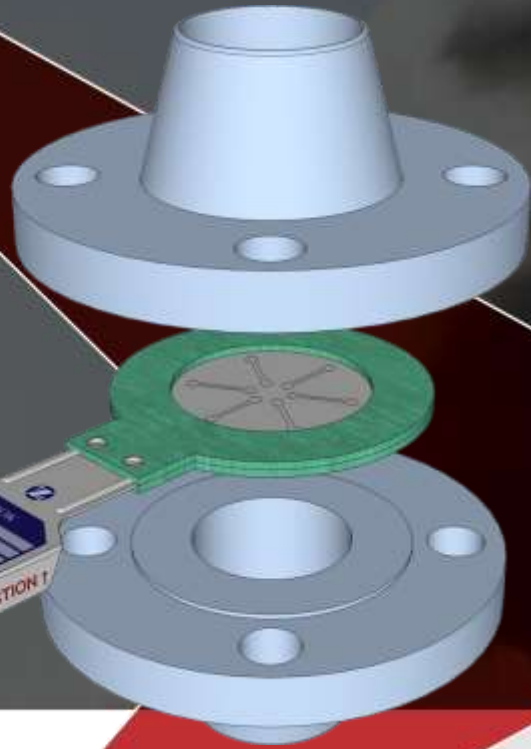




**DELTA
FIRE**



TEFLON SEAL BURST DISCS

KEY USERS

- Petrochemicals
- Fuel Storage Sites
- Oil & Gas
- Marine
- Major Industrials
- Aviation
- Chemical Facilities
- Nuclear

KEY FACTS

- For use with Delta DFPS Foam Pourers
- No Disc Holder Required – fits directly between the flanges
- Supplied with Burst & Material Certification
- Available from 2" to 36" sizes
- Conforms to PED 2014/68/EU.
- CE Marked.
- Manufactured/Tested to EN ISO 4126-2
- Easy Installation/Replacement



ARD Teflon Seal Burst Disc

Doc Ref: DDS004



DELTA FIRE

Broadland Business Park, Norwich, Norfolk, UK, NR7 0FE

T: +44(0)1603 735000 | E: sales@deltafire.co.uk | E: export@deltafire.co.uk

deltafire.co.uk

GENERAL DESCRIPTION

Delta's ARD-Series Teflon Seal Burst Discs are designed for use in the Delta DFPS Foam Top Pourers and are the modern-day alternative to frangible glass burst discs. Manufactured with a high quality 316 Stainless Steel/Teflon Seal disc the ARD-Series uses Klingersil C-4401 compressed fibre gaskets providing a rated burst pressure of 0.8 bar at 22° (in both directions for failsafe operation).

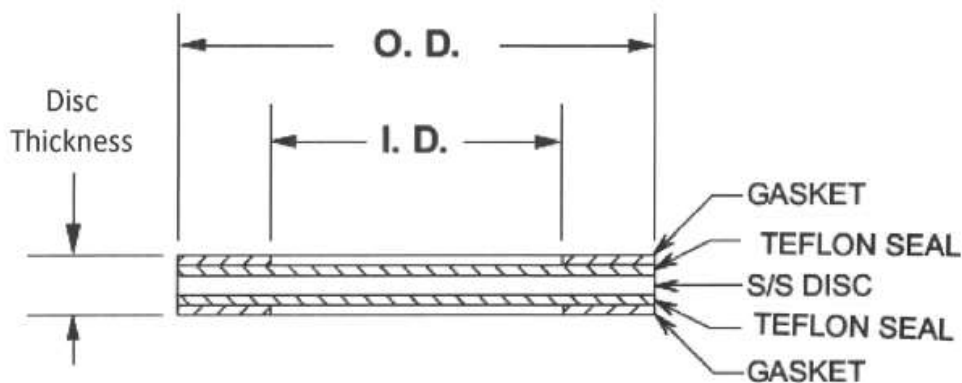
One of the inherent problems with frangible glass burst discs lies in their fragility which can sometimes lead to accidental damage during installation or inspection whereas the Teflon burst discs are easily and safely installed between the two standard ANSI Class 150 or 300 flanges negating the need for a disc holder. A 316 Stainless Steel identification tag plate depicts flow direction and model specification along with the CE mark.

Operating pressures are to 50% of the discs marked burst pressure rating (between 0.07 & 1.03 bar). Three further options of Teflon Burst Discs are also available to cater for specific burst pressure criteria. See table below:

THE RANGE

Model	Function	Features
ARD	Bi-Directional	Bursts at Specified Pressures in Both Directions
ARD-L	Uni-Directional	Bursts at Specified Pressures in One Direction
ARD-S	Bi-Directional	Bursts at Two Different Set Pressures as Specified
ARD-V	Uni-Directional	Bursts at the Specified Pressure in One Direction (Withstands Full Vacuum)

ARD-SERIES SPECIFICATION



Typical Dimensions for ANSI 150 Flange Fitment – Custom Sizes Available on Request

Disc Nominal Size	Nominal Internal Dimension (I.D.)	External Dimension (O.D.)
4"	100mm	171mm
6"	150mm	219mm
8"	200mm	276mm
10"	250mm	337mm
Approx. Thickness	6mm (all sizes)	6mm (all sizes)

The Disc Identification Tags can be supplied loose with a lock-wire to fix to the installation on request.



DELTA FIRE

Broadland Business Park, Norwich, Norfolk, UK, NR7 0FE

T: +44(0)1603 735000 | E: sales@deltafire.co.uk | E: export@deltafire.co.uk

deltafire.co.uk