



**DELTA
FIRE**



UNIFIRE V-SERIES JET/SPRAY NOZZLE

Multi-Purpose Marine Nozzle

KEY USERS

- Marine Sectors
- Defence
- Petrochemicals
- Oil & Gas
- Chemical Facilities
- Nuclear
- Mining

KEY FACTS

- Chrome Plated Brass Construction
- Easy Functionality
- Twist On/Off Operation
- Twist Jet / Spray Operation
- Very Reliable
- Low Maintenance
- Available with all International Inlet Adaptors



International Inlet Options

Doc Ref: DDS131



DELTA FIRE

Wendover Road, Rackheath Industrial Estate, Norwich, Norfolk, UK NR13 6LH
T: +44 (0)1603 735000 | E: sales@deltafire.co.uk | E: export@deltafire.co.uk
deltafire.co.uk



GENERAL DESCRIPTION

The Unifire V-Series Nozzles are widely used by mariners around the world for all manner of off-shore marine applications.

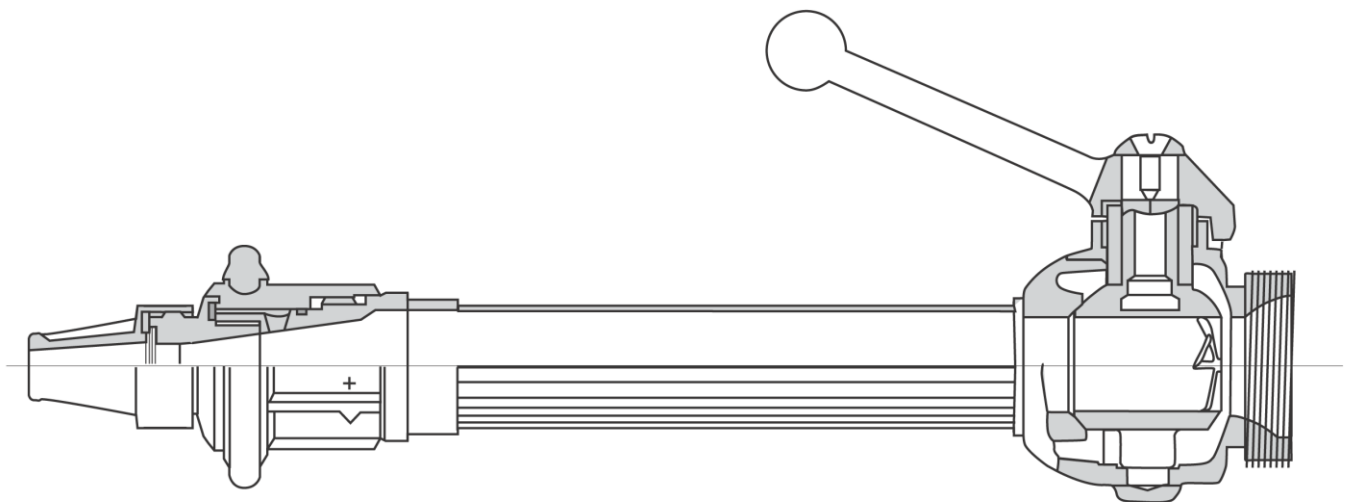
A truly multi-purpose nozzle, the Unifire offers excellent performance in jet or spray modes providing constant water flows regardless of spray angle. The rugged designed is very resistant to corrosion and perfectly suited to use in harsh, saline-rich environments. Incredibly reliable the Unifire is capable of withstanding heavy professional use ideal for general purpose firefighting, washdown, cooling and dust suppression.

Supplied as standard with 2" BSP male inlets for compatibility to any International inlet adaptors the Unifire Nozzle is globally compatible for use with existing mainline hoses.

Available in three models – V12 / V16 / V20.

THE RANGE

Product Code	NUG121024	NUG121028	NUG161024	NUG161028	NUG201028
Model	V12 (12mm Tip)	V12 (12mm Tip)	V16 (16mm Tip)	V16 (16mm Tip)	V20 (20mm Tip)
Function	Jet / Spray	Jet / Spray	Jet / Spray	Jet / Spray	Jet / Spray
Weight	1.6 Kg	1.6 Kg	1.6 Kg	1.6 Kg	1.6 Kg
Inlet	1" BSP Male	2" BSP Male	1" BSP Male	2" BSP Male	2" BSP Male
Material	Chrome Plated Brass	Chrome Plated Brass	Chrome Plated Brass	Chrome Plated Brass	Chrome Plated Brass
Flow Range LPM @ 6 Bar	233	233	356	356	480
Flow Range GPM @ 7 Bar	60	60	94	94	126



DELTA FIRE

Wendover Road, Rackheath Industrial Estate, Norwich, Norfolk, UK NR13 6LH
T: +44 (0)1603 735000 | E: sales@deltafire.co.uk | E: export@deltafire.co.uk
deltafire.co.uk

